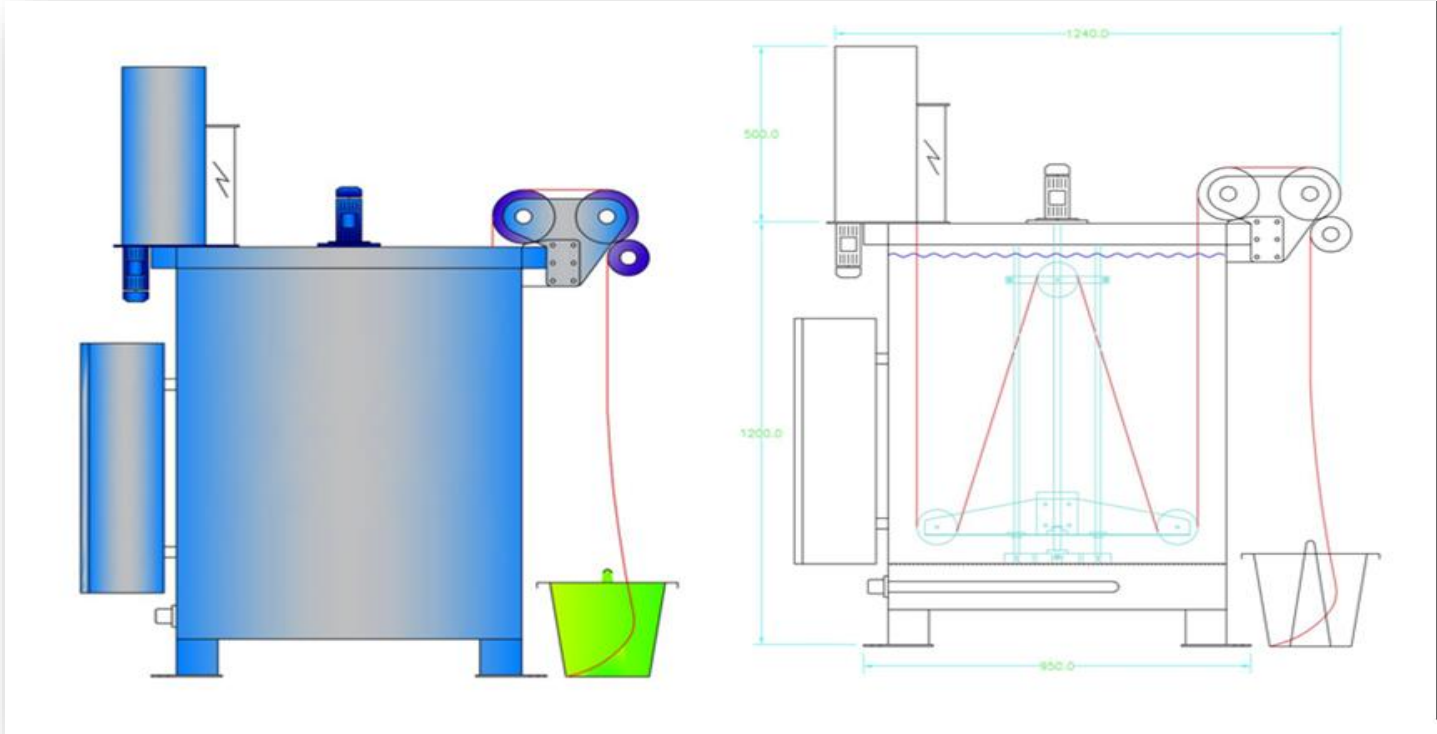


***Hollow Fiber Spinning Machine***



Hollow Fiber Spinning Machine	
Air Gap Spinneret Holder	0-50 cm Glass Air protect zone Temperature & Humidity Control is available
Coagulation Tank Dimension	Isolated stainless steel tank Water temperature (room – 80 °C) Circulation & Filtering System
Collector Speed	3-60 m/min
Control System	HMI touch screen PLC control
Syringe pumps	4 Syringe pumps (S series) or 3 Syring Pumps (A series)
Power	1-3 PH 220/300 VAc - 50/60 Hz
Dimension	L*W*H / 1240*500*1700

\*Lenght of Hollow Fiber in coagulation tank is adjustable between 50 and 400 cm

